

The Award Winning

# TEMPEST TORCH™

By Travis Industries House of Fire



Made in the U.S.A. - US & Foreign Patents Pending



The Award Winning

# TEMPEST TORCH™

By Travis Industries House of Fire



Breaking the barriers of standard torch design, Travis Industries proudly unveils the Tempest Torch™ - a dramatic outdoor gas torch. The patent pending Tempest Torch creates a natural venturi without the use of electricity or a fan. This natural venturi effect causes the flame to spiral and dance within the curved ceramic glass walls.

Created as an outdoor furnishing for a wide-array of exterior settings and applications, the display possibilities are nearly endless: outdoor living spaces, retail or business storefronts, front walkway pillars, mounted onto movable bases or featured on an exterior wall by an entry.

The Tempest Torch was the Winner for **Best Outdoor Room Furnishing** and Winner of **BEST OF SHOW** for all Outdoor products at the 2007 Hearth, Patio and BBQ Expo. The Tempest Torch is manufactured by Travis Industries - North America's Largest Privately Owned Manufacturer of Hearth Products.

## Features

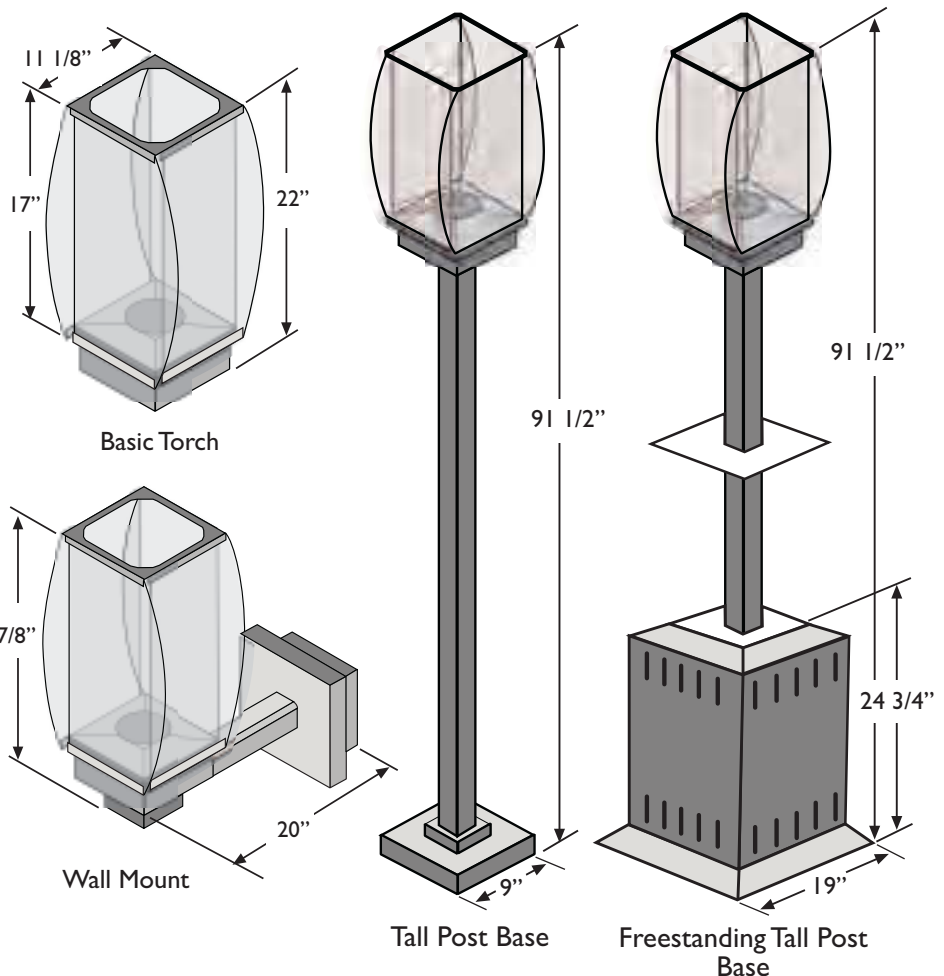
- Btu Input Max: 20,500 (NG & LP)
- Curved Neoceramic glass
- Glass panels are easy to remove for cleaning
- Stainless steel construction
- Automatic gas shut off if flame goes out
- Easy access control panel in front of base
- Piezo igniter for easy lighting
- On/Off control
- US and Foreign Patents Pending
- Propane or Natural Gas models

## Options

The Tempest Torch comes as a standard base unit that includes gas valve, burner, igniter, glass panels and frame.

Customers have the option to add:

- Wall Mount Base
- Tall Post Base for application on wood deck or concrete base
- Short Post Base for entry columns
- Freestanding Tall Post Base that holds 5 gallon LP canister (not included)



**TRAVIS INDUSTRIES**  
HOUSE OF FIRE

4800 Harbour Pointe Blvd SW  
Mukilteo, WA 98275  
1 (800) 654-1177  
www.tempesttorch.com